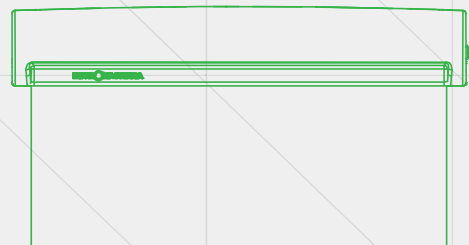
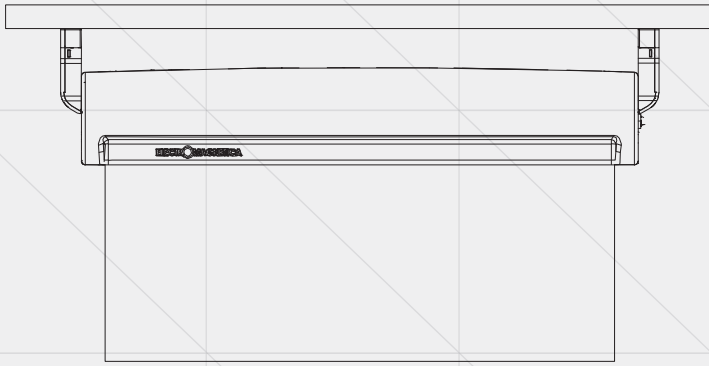




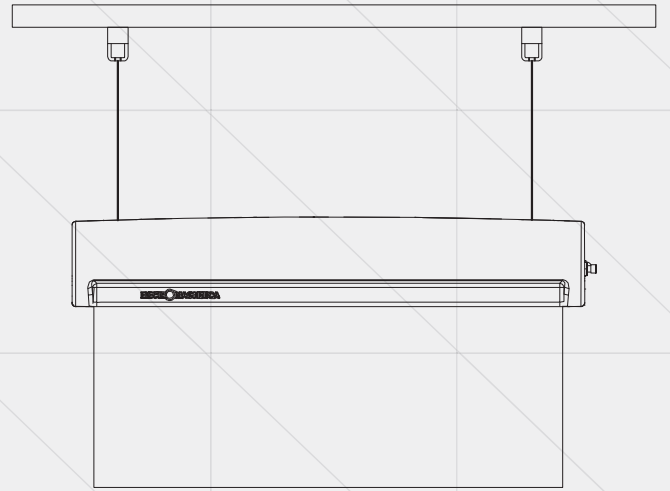
SIGMA

When there are evacuation routes in the building, it is good to mark them so they can be easily identified and used. Choose **SIGMA**, LED security indicator which design was created in such way to be integrated easily in any type of space. **SIGMA** is produced in many mounting variants, so you can choose the best solution, suitable for your space.

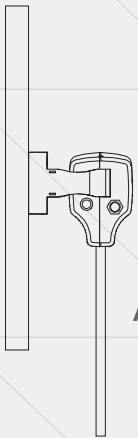




Applied on the ceiling



Suspended



Applied on the wall

Mounting variants



Laterally applied on the wall



RS 81805-S-H



RS 81805-S-D



RS 81805-S-L



RS 81805-S-R



RS 81805-S-RDS



RS 81805-S-LUS



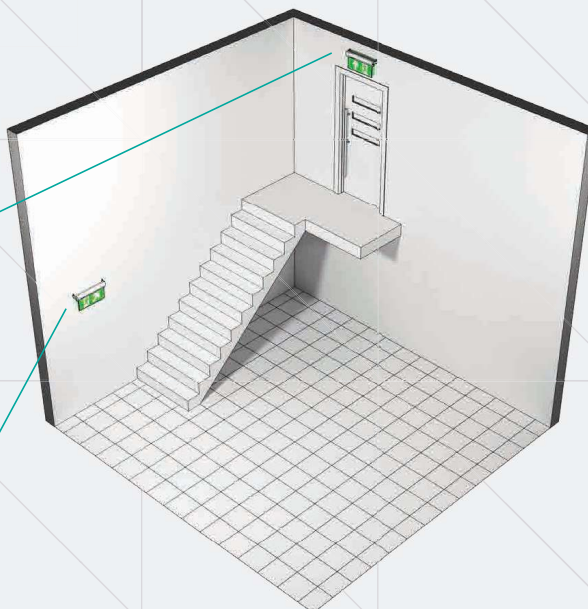
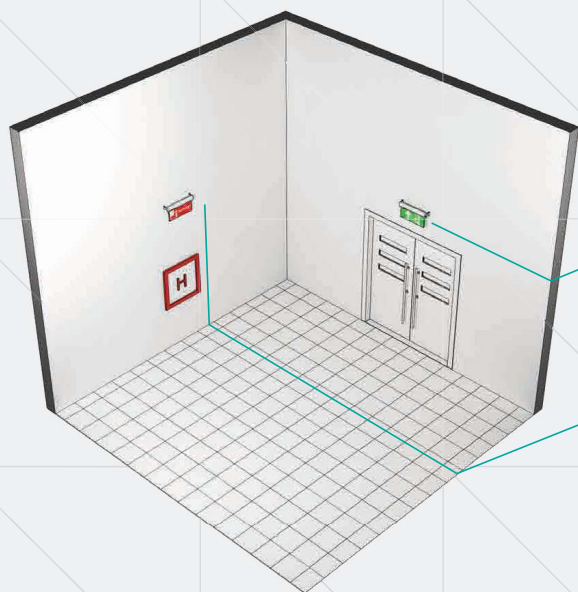
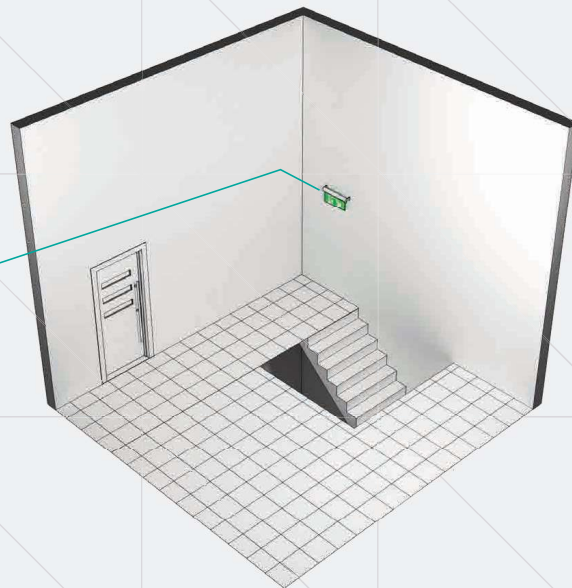
RS 81805-S-RUS



RS 81805-S-LDS

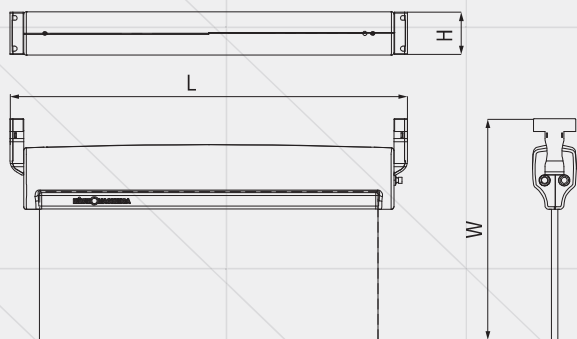


RS 81805-S-U



SIGMA

- Installation: Emergency lighting
- Ingress protection: IP30
- Power supply: 230 V / 50 Hz
- Safety class: II
- Operating temperature: max. + 40°C
- Emergency lighting: Battery autonomy - 180 min
- Weight: 0,8 kg



Code	Nominal power	Diffuser	Dimensions (L x W x H)	Observations
RS 81805-S-H	3 W	plexiglass	375 x 185 x 40 mm	Ni-Mh batteries 3,6 V / 2000 mAh
RS 81805-S-D	3 W	plexiglass	375 x 185 x 40 mm	Ni-Mh batteries 3,6 V / 2000 mAh
RS 81805-S-L	3 W	plexiglass	375 x 185 x 40 mm	Ni-Mh batteries 3,6 V / 2000 mAh
RS 81805-S-R	3 W	plexiglass	375 x 185 x 40 mm	Ni-Mh batteries 3,6 V / 2000 mAh
RS 81805-S-RDS	3 W	plexiglass	375 x 184 x 40 mm	Ni-Mh batteries 3,6 V / 2000 mAh
RS 81805-S-LUS	3 W	plexiglass	375 x 184 x 40 mm	Ni-Mh batteries 3,6 V / 2000 mAh
RS 81805-S-RUS	3 W	plexiglass	375 x 184 x 40 mm	Ni-Mh batteries 3,6 V / 2000 mAh
RS 81805-S-LDS	3 W	plexiglass	375 x 184 x 40 mm	Ni-Mh batteries 3,6 V / 2000 mAh
RS 81805-S-U	3 W	plexiglass	375 x 185 x 40 mm	Ni-Mh batteries 3,6 V / 2000 mAh

Compliance standards:
 SR EN 1838:2014
 SR EN 60598-1:2015
 +AC:2016
 SR EN 60598-2-22:2015
 +AC:2015+AC:2016
 SR EN 62031:2009+A1:2013
 +A2:2015
 SR EN 55015:2014+A1:2015
 SR EN 61000-3-2:2015
 SR EN 61000-3-3:2014
 SR EN 61547:2010

