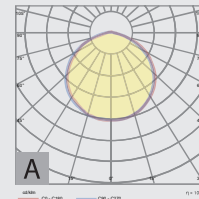


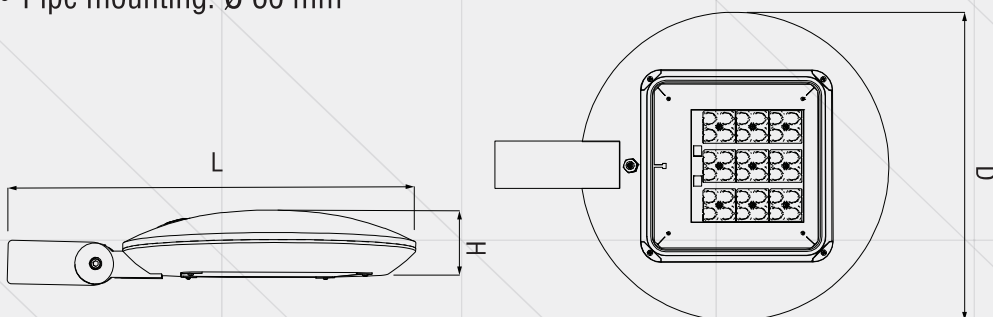
## SELENA

**SELENA** lighting device is made of an aluminum cast body, in dark gray color, with outer protection, corrosion protection treatment and UV resistant paint. The safety glass diffuser offers protection against mechanical impact IK09. Pipe mounting can be done horizontally or vertically, with possibility of adjusting the angle between  $-15^{\circ}$  ...  $+15^{\circ}$ C.

# SELENA



- Installation: street lighting
- Colour temperature: warm, neutral, cold
- Colour rendering index: CRI > 80
- Ingress protection: IP66
- Power supply: 230 V / 50 Hz
- Safety class: I
- Light distribution: A
- Operating temperature range: - 25°C . . . + 45°C
- Pipe mounting: Ø 60 mm



Cod	Nominal power	Diffuser	Luminous flux	Dimensions; Weight ( L x D x H );( kg )	Observations
RS 81677-001A	30 W	glass diffuser/ PMMA lenses	4350 lm	658 x 480 x 130 mm 6,5 kg	-
RS 81677-001B	55 W	glass diffuser/ PMMA lenses	8360 lm	658 x 480 x 130 mm 6,5 kg	-
RS 81677-001C	80 W	glass diffuser/ PMMA lenses	11600 lm	658 x 480 x 130 mm 6,5 kg	-

Compliance standards:  
 SR EN 60598-1:2015+AC:2016  
 SR EN 60598-2-5:2016  
 SR EN 55015:2014+A1:2015  
 SR EN 61000-3-2:2015  
 SR EN 61000-3-3:2014  
 SR EN 61547:2010  
 SR EN 60079-0:2013  
 SR EN 60079-15:2011  
 SR EN 60079-31:2014

